

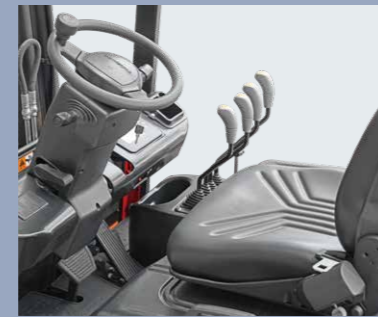
Ergonomic

- / State-of-the-art design makes a clear footwell with wellplaced pedals which give plenty of room for large feet space and help the driver's comfort working.
- / The simple, concise instrument panel minimizes confusion but gives the key warnings to operator.
- / Hydraulic levers can be mounted beside the battery or on the scuttle, giving easy access from either side. The conventional cabin layout makes the inexperienced operator work easily without time-consuming training.
- / Adjustable steering wheel and seat make the operator in comfortable working position.



Maneuverability

- / Drive to the rear steering wheel gives safe truck operation in confined spaces. The turning angle of rear wheel is upto 90 degree, compared with the same load capacity 4 pivot trucks, the turning radius is smaller about 400 to 450mm.
- / Driving speed is automatically reduction during cornering.

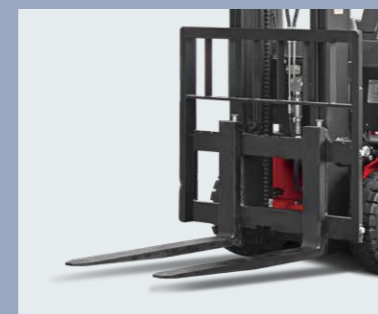


Reliability

- / AC motor is the simple brushless motor, less maintenance and better suitability for wet & explosive conditions.
- / Maintenance is easy and low-cost.

Side battery change

- / 24V battery is ideal for two or three shifts requirements, and side battery change is a perfect option to change the batteries quickly.



Hangcha Europe GmbH

Mariechen-Graulich-Straße 12a,
65439 Flörsheim am Main,
Germany

Administration
Tel: 0049-61453769188
E-mail: admin@hangchaeurope.com

Sales Management
Thomas Dittrich
Mob: 0049-16096548808
E-mail: thomas.dittrich@hangchaeurope.com

Technical Support
Thomas Pannke
Mob: 0049-01759284213
E-mail: thomas.pannke@hangchaeurope.com

www.hangchaeurope.com



Folgen Sie uns auf
Instagram



Folgen Sie uns auf
Facebook



Folgen Sie uns auf
YouTube



"Hangcha Forklift"
App herunterladen



ISO14001
ISO14001:2015



ISO9001
ISO9001:2015



HANGCHA trucks conform
to the European Safety
Requirements.

2024 VERSION 2/COPYRIGHT 2024/10

HANGCHA Group Co., LTD behält sich das Recht vor, Änderungen bezgl. Farbe, Spezifikationen, Ausstattung und sonstige Details, dieser Broschüre ohne Vorankündigung vorzunehmen. Fahrzeugfarben können von den Farben in dieser Broschüre abweichen.



A series 3-pivot Rear Drive Electric Forklift

with capacities of 1,500kg

The World of Hangcha



A series 3-pivot Rear Drive Electric Forklift

A series 1.5t rear-wheel driving three pivot electric forklift truck is very suitable for operating in limited space, with small turning radius, which is the ideal forklift truck in store, supermarket and warehouse, etc.

Standard specification

- / Solid tyre
- / Emergency disconnect switch
- / Full suspension seat
- / Drive, lift, steering controlled
- / Self-diagnose system
- / 2 spools valves
- / 3m wide view mast
- / Adjustable steering wheel
- / Multi-function LCD display and trucklighting system
- / Rear view mirror
- / Side battery change



Options

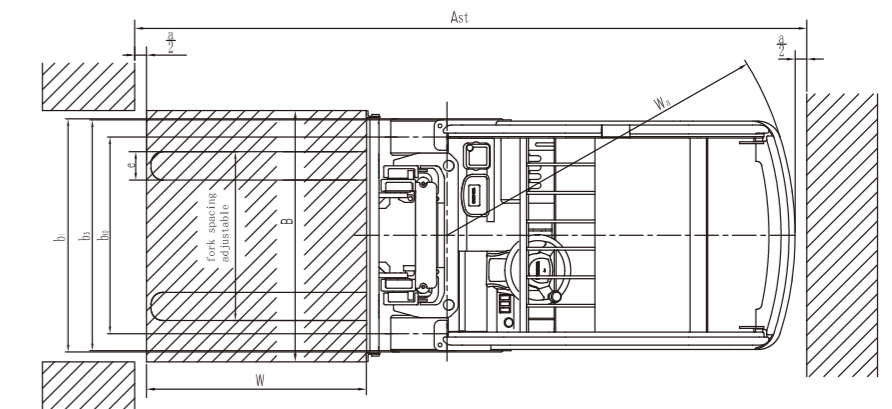
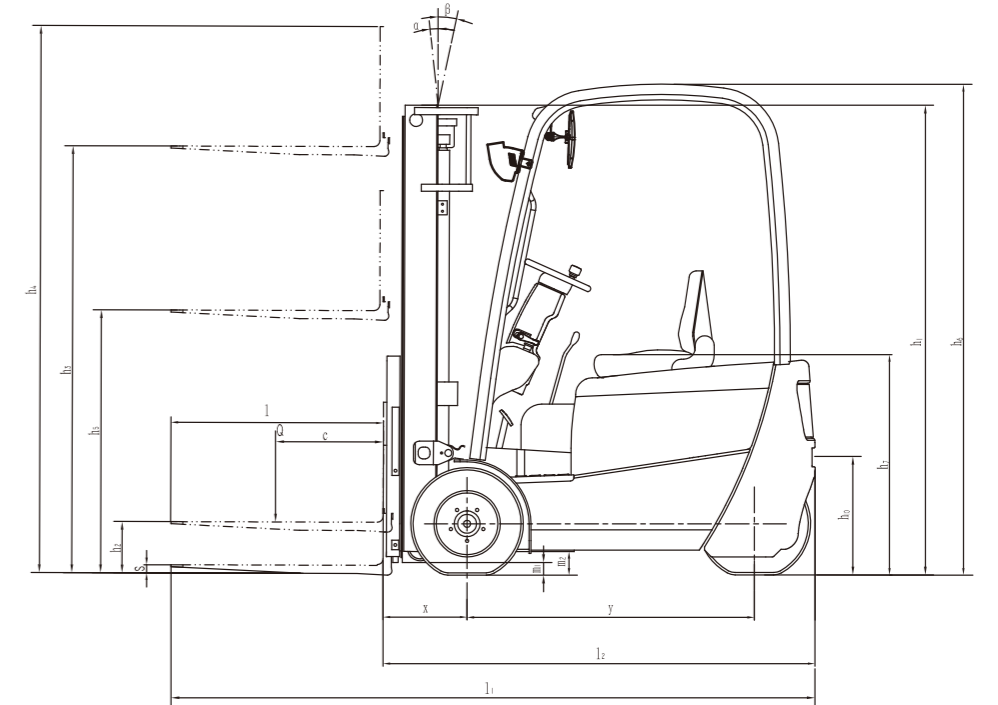
- / Drive wheel with Pneu tyres
- / 3 or 4 spools control valves
- / 4.3-6m full free triplex mast
- / 2.5-4.5m full free duplex mast
- / Different length forks
- / Attachments
- / Different load backrest
- / Tool box

1.5t Three-wheel Forklift Specification

Distinguishing mark	1.1	Manufacturer	HANGCHA GROUP CO.,LTD.
	1.2	Manufacturer's model designation	CPD515-AHC4
	1.3	Drive: electric (battery or mains), diesel, petrol, fuel gas	Electric
	1.4	Operator type: hand, pedestrian, standing, seated, order-picker	Seated
Weight	1.5	Load capacity	Q /kg 1500
	1.6	Load centre distance	c/mm 500
	1.8	Load distance, center of drive axle to fork	x/mm 365
Wheel & tyres	1.9	Wheelbase	y/mm 1220
	2.1	Service weight with battery	kg 3000
	2.2	Axle loading with load, front/rear	kg 3930/570
Dimensions	2.3	Axle loading, unladen front/rear	kg 1370/1630
	3.1	Tyres: solid rubber, superelastic, pneumatic, polyurethane	solid rubber
	3.2	Tyre size - front	18x7-8
	3.3	Tyre size - rear	200/50-10
	3.5	Wheel, number operator/load side (x=drive)	2/1x
	3.6	Tread, front	b _{1f} /mm 835
	4.1	Tilt of mast/fork carriage forward/backward	α/β(°) 6/5
	4.2	Height, mast lowered	h ₁ /mm 1980
	4.3	Free lift	h ₂ /mm 155
	4.4	Lift	h ₃ /mm 3000
	4.5	Height, mast extended	h ₄ /mm 3955
	4.7	Height of overhead guard	h ₅ /mm 2105
4.8	Seat height/stand height	h ₆ /mm 940	
4.12	Coupling height	h ₇ /mm 500	
4.19	Overall length	l ₁ /mm 2785	
4.20	Length to face of forks	l ₂ /mm 1880	
4.21	Overall width	b ₂ /mm 990	
4.22	Fork thickness	s/e/l mm 35/100/920	
4.23	Fork carriage to DIN 15173 - class/form A or B	ISO II A	
4.24	Fork carriage width	b ₃ /mm 1000	
4.31	Ground clearance, with load, below mast	m ₁ /mm 100	
4.32	Ground clearance, centre of wheelbase	m ₂ /mm 100	
4.33	Aisle width for pallets 1000 x 1200 crossways	Ast/mm 3160	
4.34	Aisle width for pallets 800 x 1200 lengthways	Ast/mm 3285	
4.35	Turning radius	Wa/mm 1510	
Performance	5.1	Travel speed, laden/unladen	km/h 9/9.5
	5.2	Lift speed laden	m/s 0.220/0.330
	5.3	Lowering speed laden	m/s 0.580/0.480
	5.6	Max. Drawbar pull, laden/unladen	N 6400/6300
	5.7	Gradeability, laden/unladen	% 7/9
Motors	5.9	Acceleration time, laden/unladen (0-10m)	s 6.0/5.8
	5.10	Service brake	Hydraulic
	6.1	Drive motor rating S2 60min.	kW AC 4
	6.2	Lift motor rating S3 15%	kW AC 8.6
	6.3	Battery equipment to DIN 43531/35/36 A, B, C, no	DIN 43535 A
	6.4	Battery voltage, nominal capacity(5h)	V/Ah 24/920
Other	6.5	Battery weight	kg 675
	6.6	Energy consumption acc. to VDI cycle	kWh/h 3.5
Other	9.1	Drive control	CURTIS AC
	10.1	Operating pressure for attachments	bar 145
	10.2	Oil volume for attachments	l/min 16
10.7	Sound pressure level at the driver's seat	dB(A) < 70	

1.5t Three-wheel Forklift Mast Specification

Type	Mast fork height	Overall height				Free lift		Tilting range		Load capacity at 500mm	
		Lowered	Extended		With backrest	Without backrest	Forward	Backward	1.5t		
	mm	mm	mm	mm	mm	mm	(°)	(°)	kg		
Duplex mast	2700	1830	3655	3233	155	155	6	5	1500		
	3000	1980	3955	3533	155	155	6	5	1500		
	3300	2130	4255	3833	155	155	6	5	1500		
	3500	2230	4455	4033	155	155	6	5	1500		
	3600	2330	4555	4133	155	155	6	5	1500		
	4000	2580	4955	4533	155	155	3.5	5	1500		
	4300	2730	5255	4833	155	155	3.5	5	1400		
Full free duplex mast	4500	2830	5455	5033	155	155	3.5	5	1300		
	2500	1745	3445	3059	800	1086	6	5	1500		
	2700	1845	3645	3259	900	1186	6	5	1500		
	3000	1995	3945	3559	1050	1336	6	5	1500		
	3300	2145	4245	3859	1200	1486	6	5	1500		
	3500	2245	4445	4059	1300	1586	6	5	1500		
	3600	2295	4545	4159	1350	1636	6	5	1500		
Triplex full free mast	4000	2545	4945	4559	1600	1886	3.5	5	1500		
	4300	2045	4255	4884	1100	1371	3.5	5	1500		
	4500	2095	4355	5084	1150	1421	3.5	5	1350		
	4700	2195	4555	5284	1250	1521	3.5	5	1300		
	4800	2245	4655	5384	1300	1571	3.5	5	1300		
	5000	2345	4855	5584	1400	1671	3.5	5	1250		
	5500	2545	5055	5784	1600	1871	3.5	5	1200		
	6000	2795	5555	6305	1850	2121	3.5	5	1000		
	6500	2995	5755	6505	2050	2321	3.5	5	600		



a=200 mm safety clearance
 $AST = a + Wa + \sqrt{(W+x)^2 + (B/2)^2}$

